

# SERVICE INFORMATION



NO : 2.  
 TITLE : Keyboard software  
 MODEL : Quinto (without coin mechanism)  
 DATE : 25-09-2007

## Reason for sending this information

Due to problems of the below mentioned keyboards the software has been changed from 1.05 to 1.06

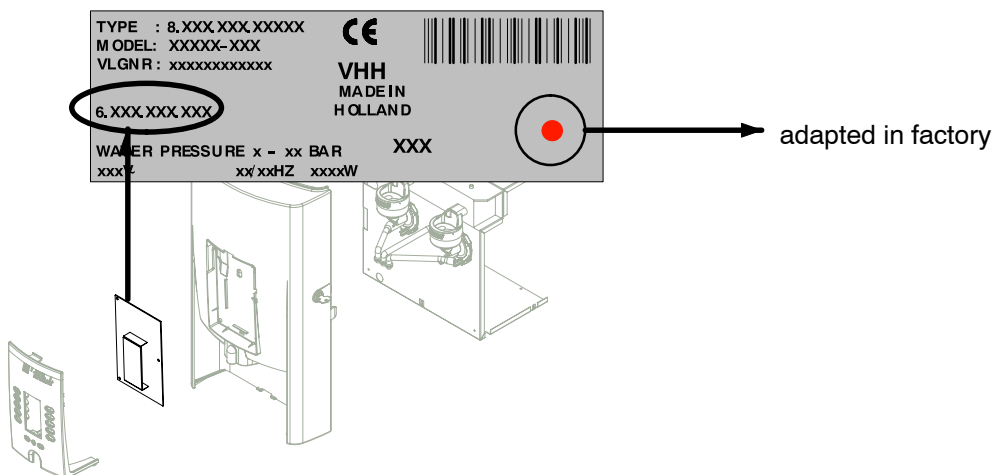
There were two problems:

1. When the mug is blocked (OFF), the quantity of a decanter can not be adjusted anymore.
2. When resetting the total counters, the "Coffee" and "Café creme" beverage will not be available anymore.

## Part Information

This service info will apply to both dispenser and spare parts:

- All Quinto dispensers with production tracking number 20000.798.640 and higher.
- All Quinto dispensers with an orange label on the identification plate (adapted in the factory)
- All spare parts 6.002.067.001,  
6.002.067.005,  
6.002.067.006 and  
6.002.067.008 that will be produced starting week 39 (September 25 2007).



## New Spare Part

- none

## Deleted Spare Part

- none